

# Cat 6A Jack

PART NUMBER: JK-C6A-BK



## TRANSMISSION PERFORMANCE

MEETS ALL REQUIREMENTS SPECIFIED IN CONNECTING HARDWARE REQUIREMENT OF ANSI/TIA-568-C.2 CAT.6A

## ELECTRICAL

**ELECTRICAL INSULATION RESISTANCE:** 500 MΩ MIN @ 100V D.C.  
**DIELECTRIC WITHSTANDING VOLTAGE:** 1000V D.C. OR A.C. PEAK CONTACT TO CONTACT @ 60HZ FOR 1 MINUTE

## MECHANICAL

**INSERTION/EXTRACTION LIFE:** 750 CYCLES MINIMUM  
**IDC WIRE GAUGE:** 22 ~ 24 AWG

## PHYSICAL

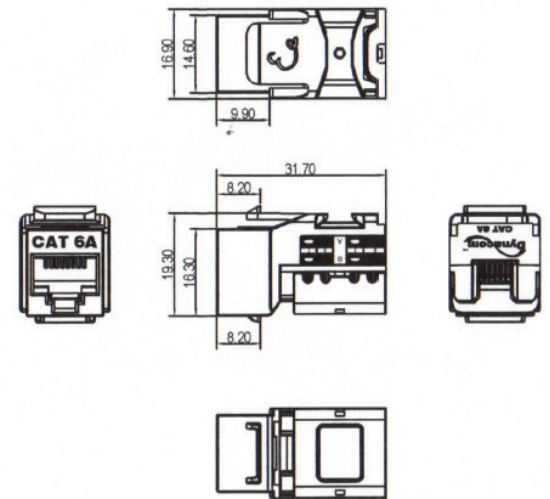
**HOUSING:** HIGH-IMPACT, FLAME RETARDANT PLASTIC, UL 94V-0  
**SPRING WIRE:** PHOSPHOR BRONZE ALLOY PLATED WITH 50 MICRO-INCH OF GOLD  
**IDC:** PHOSPHOR BRONZE ALLOY WITH 100 MICRO-INCH 100% Sn ALLOY

## COMPATIBILITY:

JACK INSTALLS TO STANDARD KEYSTONE PORT COMPATIBLE WITH DYNACOM KWIKTOOL P/N 3190-KT.

ITEM	PARTS DESCRIPTION	QTY.
1	JACK HOUSING	1
2	WIRE CAP	1
3	INSERT MODULE	1
4	IDC MODULE	1

## ASSEMBLY DIMENSION



## ISOMETRIC VIEW

